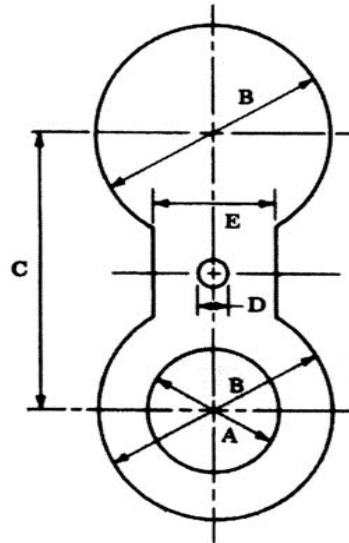


SPECTACLE BLINDS - SINGLE BLINDS - RING SPACERS

Notes:

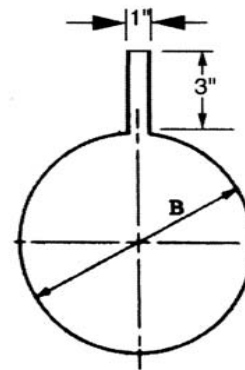
1. For use with Flat or Raised Face Flanges.
2. Specify Surface in Microinch ASA 500, 250, 125, 63 or 32. If not specified, Mill Finish Supplied.
3. Available with Phonographic Serrated Surface or Ground Finish. Available with Ring Type Joint.

All Dims Per ASME B16.48



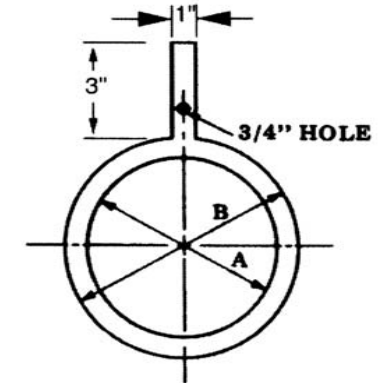
SPECTACLE FLANGE

STYLE "J" - CARBON STEEL
STYLE "JS" - STAINLESS STEEL



SINGLE BLIND

STYLE "K" - CARBON STEEL
STYLE "KS" - STAINLESS STEEL



RING SPACER

STYLE "L" - CARBON STEEL
STYLE "LS" - STAINLESS STEEL

PIPE SIZE	150# FLANGES						300# FLANGES						600# FLANGES					
	A	B	C	D	E	THK	A	B	C	D	E	THK	A	B	C	D	E	THK
1/2"	5/8	1 3/4	2 3/8	5/8	1 1/2	1/4	5/8	2	2 5/8	5/8	1 1/2	1/4	5/8	2	2 5/8	5/8	1 1/2	1/4
3/4"	13/16	2 1/8	2 3/4	5/8	1 1/2	1/4	13/16	2 1/2	3 1/4	3/4	1 1/2	1/4	13/16	2 1/2	3 1/4	3/4	1 1/2	1/4
1"	1 1/8	2 1/2	3 1/8	9/16	1 1/2	1/4	1 1/8	2 3/4	3 1/2	11/16	1 1/2	1/4	1 1/8	2 3/4	3 1/2	3/4	2 1/4	1/4
1 1/4"	1 5/8	2 7/8	3 1/2	9/16	1 1/2	1/4	1 5/8	3 1/8	3 7/8	11/16	1 1/2	1/4	1 7/16	3 1/8	3 7/8	3/4	2 1/4	3/8
1 1/2"	1 7/8	3 1/4	3 7/8	9/16	1 1/2	1/4	1 7/8	3 5/8	4 1/2	7/8	2	1/4	1 11/16	3 5/8	4 1/2	7/8	2 5/8	3/8
2"	2 3/8	4	4 3/4	11/16	2	1/4	2 3/8	4 1/4	5	3/4	2	3/8	2 1/8	4 1/4	5	3/4	2 1/4	3/8
2 1/2"	2 7/8	4 3/4	5 1/2	11/16	2	1/4	2 7/8	5	5 7/8	7/8	2 1/2	3/8	2 5/8	5	5 7/8	7/8	2 5/8	1/2
3"	3 1/2	5 1/4	6	11/16	2 1/2	1/4	3 1/2	5 3/4	6 5/8	7/8	2 1/2	3/8	3 1/4	5 3/4	6 5/8	7/8	2 5/8	1/2
4"	4 1/2	6 3/4	7 1/2	3/4	2 1/2	3/8	4 1/2	7	7 7/8	7/8	2 1/2	1/2	4 1/4	7 1/2	8 1/2	1	3	5/8
5"	5 9/16	7 5/8	8 1/2	7/8	3	3/8	5 5/8	8 3/8	9 1/4	7/8	3	5/8	5 1/4	9 3/8	10 1/2	1 1/8	3 3/8	3/4
6"	6 5/8	8 5/8	9 1/2	7/8	3	1/2	6 5/8	9 3/4	10 5/8	7/8	3	5/8	6 3/8	10 3/8	11 1/2	1 1/8	3 3/8	7/8
8"	8 5/8	10 7/8	11 3/4	7/8	3	1/2	8 5/8	12	13	1	3 1/2	7/8	8 3/8	12 1/2	13 3/4	1 1/4	3 3/4	1 1/8
10"	10 3/4	13 1/4	14 1/4	1	4	5/8	10 3/4	14 1/8	15 1/4	1 1/8	4	1	10 7/16	15 5/8	17	1 3/8	4 1/8	1 3/8
12"	12 3/4	16	17	1	4	3/4	12 3/4	16 1/2	17 3/4	1 1/4	4	1 1/8	12 3/8	17 7/8	19 1/4	1 3/8	4 1/8	1 5/8
14"	14	17 5/8	18 3/4	1 1/8	4 1/4	3/4	14	19	20 1/4	1 1/4	4 3/4	1 1/4	13 5/8	19 1/4	20 3/4	1 1/2	4 1/2	1 3/4
16"	16	20 1/8	21 1/4	1 1/8	4 1/4	7/8	16	21 1/8	22 1/2	1 3/8	4 7/8	1 1/2	15 5/8	22 1/8	23 3/4	1 5/8	4 7/8	2
18"	18	21 1/2	22 3/4	1 1/4	4 1/2	1	18	23 3/8	24 3/4	1 3/8	4 1/2	1 5/8	17 5/8	24	25 3/4	1 3/4	5 1/4	2 1/8
20"	20	23 3/4	25	1 1/4	4 3/4	1 1/8	20	25 5/8	27	1 3/8	4 3/4	1 3/4	19 5/16	26 3/4	28 1/2	1 3/4	5 1/4	2 1/2
24"	24	28 1/8	29 1/2	1 3/8	5 1/2	1 1/4	24	30 3/8	32	1 5/8	5 1/2	2	23 1/2	31	33	2	6	2 7/8

ALL DIMENSIONS IN INCHES - LARGER SIZES AVAILABLE

FABROTECH INDUSTRIES, INC.

2089 NINTH AVENUE, RONKONKOMA, NEW YORK 11779

TEL: (631) 467-2040 FAX: (631) 467-2196 e-mail: info@fabrotech.com

www.fabrotech.com

REVISED 03-09