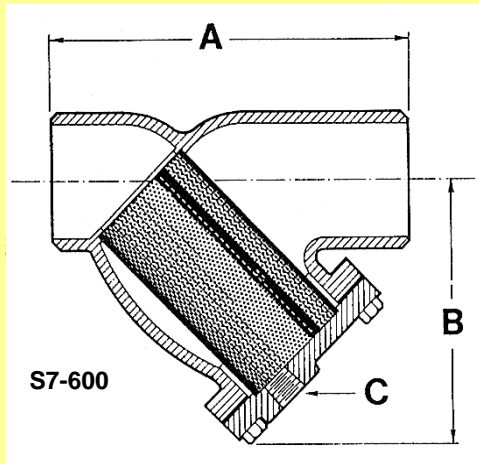
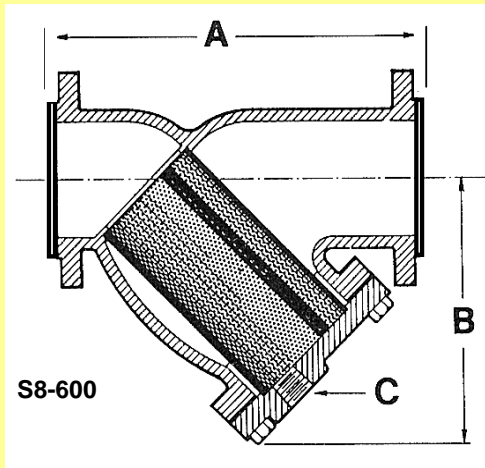


600# CAST 316SS FLANGED & BUTTWELD "Y" STRAINERS

MODELS: S8-600 & S7-600

| PRESSURE-TEMPERATURE RATINGS | |
|------------------------------|-------------------|
| STEAM: | 600 psi @ 1125° F |
| WOG: | 1440 psi @ 100° F |



SERVICE RECOMMENDATIONS

These strainers are designed to ensure complete protection to mechanical equipment from the harmful effects of dirt, scale, etc. The S8-600 is built for a long service life and designed to withstand many different types of corrosive fluids at high pressures and temperatures.

FEATURES

All sizes feature a bolted cover machined to receive the screen. S8-600's are drilled in accordance with ANSI B16.5. Bolt holes are either spot faced or flanges are back faced. Each unit is individually hydrostatically tested. Ring Type Joints (RTJ) are available. SS spiral wound gaskets are standard. Chome moly bolting standard.

SCREENS

Fabrotech supplies heavy gauge 304 SS screens which are furnished in the following perforations as standard:

| | | |
|-----------------|------------------|------------------|
| SERVICE: | 1/2" - 4" | 5" to 14" |
| Steam: | .033" | .045" |
| Liquid : | .062" | 1/8" |

Other materials, such as Monel, Hastelloy C, & Alloy-20 are available. Other perforation sizes and/or mesh lining is also available.

CONSTRUCTION

Extremely rugged & durable bodies constructed from stock in type 316 stainless steel (ASTM A351, Grade CF8M). Other alloys are available. All sizes contain generously proportioned screens with a minimum capacity of four times the corresponding pipe size. The bodies of both the S8-600 & S7-600 are designed to meet 600 lb. ANSI specifications. Model S8-600 has RF flanges and model S7-600 ends are machined to match schedule 80 pipe. Other bore schedules can be supplied. Fabrotech's models have machined seats in the body & cover which ensure accurate screen alignment.

DIMENSIONS & WEIGHTS APPROXIMATE
(Apply for certified drawings)

| SIZE | in. mm | 1/2" | 3/4" | 1" | 1 1/4" | 1 1/2" | 2" | 2 1/2" | 3" | 4" | 5" | 6" | 8" | 10" | 12" |
|----------------|-----------|-----------|-----------|-----------|-----------|-----------|-----------|------------|------------|------------|------------|------------|------------|-------------|-------------|
| | | 15 | 20 | 25 | 32 | 40 | 50 | 65 | 80 | 100 | 125 | 150 | 200 | 250 | 300 |
| A | S8-600 | 6 5/8 | 8 5/16 | 8 5/16 | 10 1/8 | 10 1/4 | 11 | 12 | 13 1/2 | 18 | 22 1/4 | 25 5/8 | 31 3/4 | 37 3/4 | 45 1/2 |
| | S7-600 | 6 5/8 | 8 5/16 | 8 5/16 | 10 1/8 | 10 1/4 | 11 | 12 | 13 1/2 | 18 | 22 1/4 | 25 5/8 | 31 3/4 | 37 3/4 | 45 1/8 |
| B | S8-600 | 3 1/2 | 3 3/4 | 3 3/4 | 5 1/2 | 5 1/2 | 7 | 8 1/4 | 9 1/4 | 12 1/2 | 15 | 20 | 24 | 28 1/2 | 34 1/2 |
| | S7-600 | 3 1/2 | 3 3/4 | 3 3/4 | 5 1/2 | 5 1/2 | 7 | 8 1/4 | 9 1/4 | 12 1/2 | 15 | 20 | 24 | 28 1/2 | 34 1/2 |
| C | NPT | 3/8 | 1/2 | 1/2 | 1/2 | 1/2 | 1 | 1 | 1 1/4 | 1 1/2 | 2 | 2 | 2 | 2 | 2 |
| WT (lb.) | S8-600 | 6 | 12 1/4 | 13 | 19 | 27 | 39 | 60 | 75 | 160 | 260 | 360 | 635 | 1090 | 1315 |
| | S7-600 | 3 | 9 | 9 | 12 | 13 | 20 | 34 | 43 | 81 | 134 | 200 | 405 | 706 | 880 |
| Clean Cv (gpm) | | 30 | 35 | 40 | 40 | 40 | 70 | 100 | 150 | 250 | 390 | 550 | 900 | 1500 | 2200 |

Also available in sizes 14" thru 24"

FABROTECH INDUSTRIES, INC.

2089 NINTH AVENUE, RONKONKOMA, NEW YORK 11779

TEL: (631) 467-2040 FAX: (631) 467-2196 e-mail: info@fabrotech.com

www.fabrotech.com