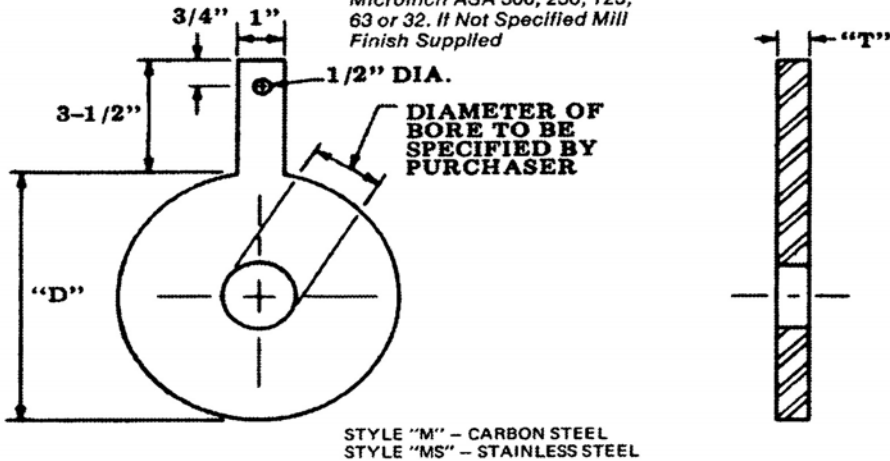


MICROFINISHED ORIFICE PLATES

WHEN ORDERING — SPECIFY
 1. Material if Other Than Standard
 2. Diameter of Bore
 3. With or Without Handle
 4. Surface Finish — Available in Microinch ASA 500, 250, 125, 63 or 32. If Not Specified Mill Finish Supplied



Pipe Size	150# "D"	300# "D"	600# "D"	900# "D"	1500# "D"	"T"
1/2"	1 7/8	2 1/8	2 1/8	2 1/2	2 1/2	1/8
3/4"	2 1/4	2 5/8	2 5/8	2 3/4	2 3/4	1/8
1"	2 3/8	2 5/8	2 5/8	2 7/8	2 7/8	1/8
1 1/4"	2 3/4	3	3	3 1/4	3 1/4	1/8
1 1/2"	3 1/8	3 1/2	3 1/2	3 5/8	3 5/8	1/8
2"	3 7/8	4 1/8	4 1/8	5 3/8	5 3/8	1/8
2 1/2"	4 5/8	4 7/8	4 7/8	6 1/4	6 1/4	1/8
3"	5 1/8	5 5/8	5 5/8	6 3/8	6 5/8	1/8
4"	6 5/8	6 3/4	7 3/8	7 7/8	8	1/8
5"	7 1/2	8 1/8	9 1/4	9 1/2	9 3/4	1/8
6"	8 1/2	9 1/2	10 1/4	11 1/8	10 7/8	1/8
8"	10 3/4	11 3/4	12 3/8	13 7/8	13 5/8	1/8
10"	13 1/8	13 7/8	15 1/2	16 7/8	16 7/8	3/16
12"	15 7/8	16 1/4	17 3/4	19 3/8	20 1/4	3/16
14"	17 1/2	18 3/4	19 1/8	20 1/4	22 1/2	1/4
16"	20	20 7/8	22	22 3/8	25	1/4
18"	21 3/8	23 1/8	23 7/8	24 7/8	27 1/2	1/4
20"	23 5/8	25 1/4	26 5/8	27 1/4	29 1/2	1/4

ALL DIMENSIONS IN INCHES - LARGER SIZES AVAILABLE

- Notes:
1. For use with Flat or Raised Face Flanges.
 2. Available with Ring Type Joint.
 3. Available with Phonographic Serrated Finish.

FABROTECH INDUSTRIES, INC.

2089 NINTH AVENUE, RONKONKOMA, NEW YORK 11779

TEL: (631) 467-2040 FAX: (631) 467-2196 e-mail: fabrotec@aol.com

www.fabrotech.com