

CAST IRON THREADED SELF CLEANING "Y" STRAINERS

MODEL: I9-250

PRESSURE-TEMPERATURE RATINGS	
STEAM:	250 psi @ 406° F
WOG:	400 psi @ 150° F

SERVICE RECOMMENDATIONS

These Fabrotech strainers are designed for long term use to protect pumps, meters, valves, etc. The use of a strainer is a relatively inexpensive way to protect costly equipment from damage.

CONSTRUCTION

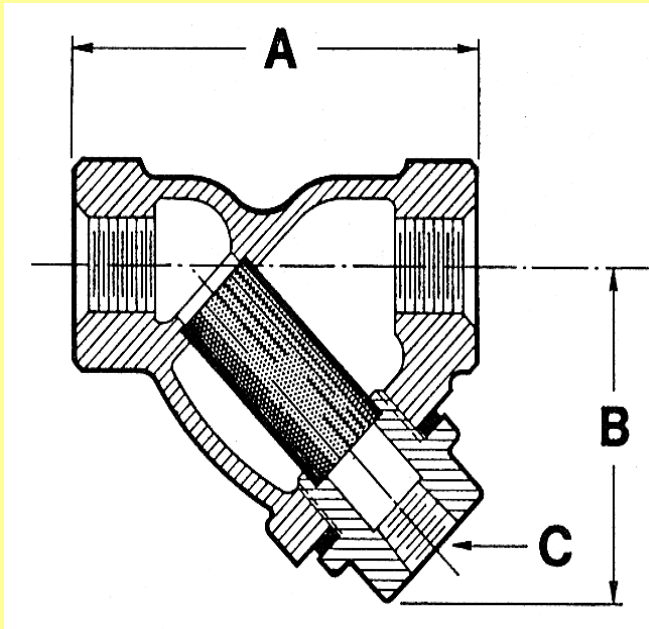
Manufactured from A126 Gr. B cast iron, The I9-250 is a dependable and economical strainer that can be used in a variety of applications. Each strainer features a 304SS screen, threaded cap with an NPT blowoff connection and a fiber gasket.

SCREENS

Fabrotech supplies 20 mesh 304 stainless steel screens as a standard. Sizes 2 1/2" & 3" are supplied with 1/16" perf. Monel screens are also available.

INDIVIDUALLY HYDROSTATICALLY TESTED

DIMENSIONS & WEIGHTS APPROXIMATE
(Apply for certified drawings)



SIZE in.	1/4"	3/8"	1/2"	3/4"	1"	1 1/4"	1 1/2"	2"	2 1/2"	3"
mm	8	10	15	20	25	32	40	50	50	50
A	3.1875	3.1875	3.1875	3.75	4	5	5.75	7	9.25	10
B	2.062	2.062	2.062	2.4375	2.625	3.375	3.875	4.75	5.875	6
C (NPT)	(NPT)	.25	.25	.25	.375	.375	.75	.75	1	1.5
WT (lb.)		1.6	1.6	1.6	2.5	3	5.25	8	12.5	22
Cv (gpm)	7	7	7	7	15	25	38	55	85	85

FABROTECH INDUSTRIES, INC.

2089 NINTH AVENUE, RONKONKOMA, NEW YORK 11779

TEL: (631) 467-2040 FAX: (631) 467-2196 e-mail: info@fabrotech.com

www.fabrotech.com