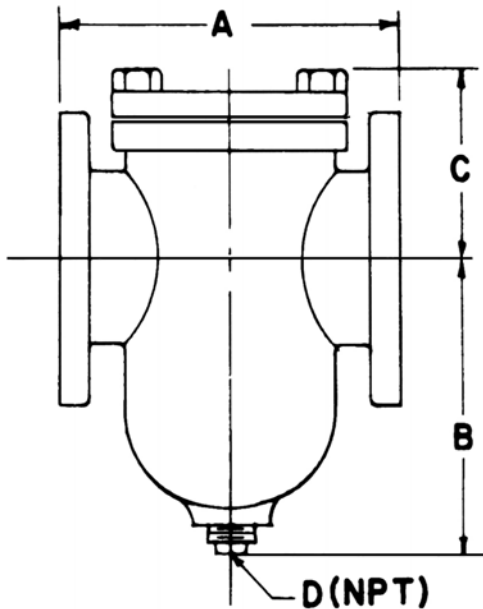


125# & 250# CAST IRON BODY FLANGED SIMPLEX BASKET STRAINER (ALSO AVAILABLE IN CAST BRONZE)

MODELS: F65 & F66



DIMENSIONS & WEIGHTS ARE APPROXIMATE

(Apply for certified drawings)

PRESSURE-TEMPERATURE RATINGS		
STEAM:	F65	125 psi @ 450° F
	F66	250 psi @ 450° F
WOG:	F65	200 psi @ 100° F
	F66	500 psi @ 100° F

SERVICE RECOMMENDATIONS

These strainers are recommended for use under moderate pressure and temperature conditions. With clean baskets, they offer excellent protection to pumps, valves, traps and other mechanical equipment. Self cleaning is done by opening the valve or plug connected to the blowoff outlet.

CONSTRUCTION

The body is constructed from Cast Iron (ASTM A126-B). The cover is HRS plate and the gasket is non-asbestos. All sizes feature a bolted cover with easy basket removal. Bodies can be supplied with tappings for pressure gauges.

BASKETS

Sizes 3" & above feature slant baskets which allow for a straight through flow and results in extremely low pressure drop.

For **steam service**, we normally furnish .045 perf up through the 10" pipe size. Above 10", we furnish 1/16" perf.

For **water service**, we normally furnish 1/16" perf for sizes up to 3", and 1/8" perf for 4" and up.

Baskets are also available in other perforations and mesh linings in a variety of material such as Monel, Alloy 20 and Hastelloy. NOTE: For fine straining, we suggest model 125F.

CAPACITY: Minimum 6 to 1 open area ratio.

INDIVIDUALLY HYDROSTATICALLY TESTED

Size: in	2"	2 1/2"	3"	4"	5"	6"	8"	10"	12"	14"	16"
mm	50	65	80	100	125	150	200	250	300	350	400
A (F-65)	8 5/8	7 9/16	8 3/4	11 3/16	12 1/4	14	17 1/8	22	25 1/4	29 5/8	31 7/8
A (F-66)	8 5/8	8 3/8	9 9/16	11 1/2	13 1/4	15 1/2	18 1/8	23 1/4	26 1/2	31 1/4	33 1/2
B	5 7/8	5 7/16	5 1/4	7 7/8	10 1/4	10 3/8	15 1/2	16	23 3/4	26 3/4	29 1/2
C	4 3/8	3 3/4	5 1/8	5 3/8	5	5 5/8	7	9 1/4	11 5/8	12 1/4	13 3/16
D (NPT)	1/2	3/4	3/4	1	1	1 1/4	1 1/2	1 1/2	2	2	2
Wt. (F65)	32	32	37	63	98	122	198	350	716	1010	1320
Wt. (F66)	40	30	55	100	130	178	270	451	841	1182	1531

larger sizes available, consult factory.

FABROTECH INDUSTRIES, INC.

2089 NINTH AVENUE, RONKONKOMA, NEW YORK 11779

TEL: (631) 467-2040 FAX: (631) 467-2196 e-mail: fabrotec@aol.com

www.fabrotech.com