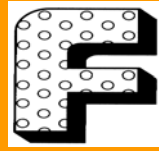
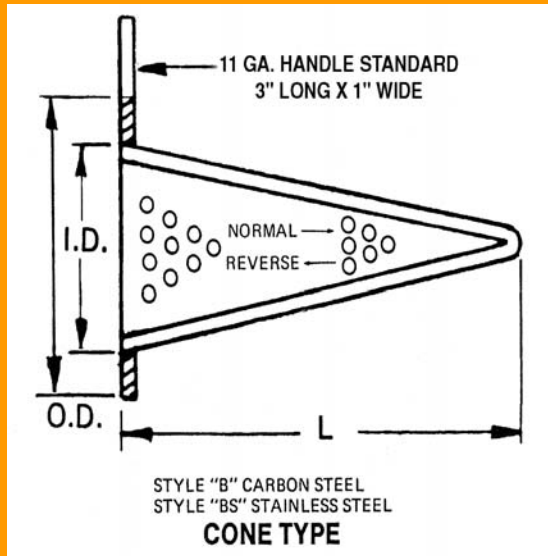
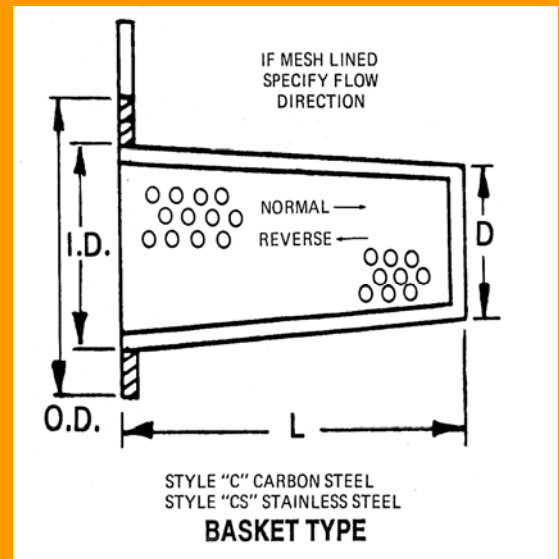


# TEMPORARY CONE & BASKET STRAINERS



FABROTECH



NOM. PIPE SIZE	ID	OD 150/300# ANSI	OD 600# ANSI	OD 900# ANSI	OD 1500# ANSI	D	CONE TYPE WITH 1/8" PERF ON 3/16" CENTERS			BASKET TYPE WITH 1/8" PERF ON 3/16" CENTERS		
							L=100%	L=150%	L=200%	L=100%	L=150%	L=200%
3/4"	5/8	2 1/8	2 1/2	2 5/8	2 5/8	3/8	2 1/4	2 1/4	3	2	-	-
1"	3/4	2 1/2	2 3/4	3	3	1/2	2 5/8	2 3/4	3	2	-	-
1 1/2"	1 1/4	3 1/4	3 5/8	3 3/4	3 3/4	3/4	3 3/16	4	5	2 3/4	-	3
2"	1 3/4	4	4 1/4	5 1/2	5 1/2	1	3 1/2	6	8	3	-	4
2 1/2"	2 1/4	4 3/4	5	6 3/8	6 3/8	1 1/4	4 1/16	6 1/4	8	3 3/16	-	4 1/2
3"	2 3/4	5 1/4	5 3/4	6 1/2	6 3/4	1 1/2	4 1/4	6 3/4	9	3 1/2	3 7/8	5 1/2
4"	3 3/4	6 3/4	7 1/2	8	8 1/8	2	5	10	12	4	5	7
5"	4 5/8	7 5/8	9 3/8	9 5/8	9 7/8	2 1/2	6	12	14	5	6 3/8	9
6"	5 3/8	8 5/8	10 3/8	11 1/4	11	3	7	13	18	6	7 3/4	11
8"	7 3/8	10 7/8	12 1/2	14	13 3/4	4	8 3/16	17	23	6 1/8	9 3/4	14
10"	9 3/8	13 1/4	15 5/8	17	17	5	12	22	28	7 1/2	12 3/8	18
12"	11	16	17 7/8	19 1/2	20 3/8	6	13	26	34	9	14 3/4	20
14"	12 1/4	17 3/8	19	20 3/8	22 5/8	7	15	27	36	10	15 7/8	21
16"	14	20 1/8	21 7/8	22 1/2	-	8	17	30	40	10	18 3/8	23
18"	15 3/4	21 1/4	23 3/4	25	-	9	19	35	46	12	20 7/8	27
20"	17 1/2	23 1/2	26 5/8	-	-	10	21	39	51	14	23 1/2	31
24"	21 1/4	27 7/8	30 7/8	-	-	12	25	45	61	16	28 3/8	37

ALL DIMENSIONS IN INCHES - LARGER SIZES AVAILABLE

**Notes:**

Normally supplied with 1/8" diameter holes on 3/16" centers. Available in most sizes with perforation & mesh.

Carbon Steel, Stainless Steel and other Alloys available.

For Ring Type Joint (RTJ), Specify Ring Number and Style.

If mesh lined, specify flow direction.

Contact our Engineering department for Special Designs or Lengths.

**FABROTECH INDUSTRIES, INC.**

2089 NINTH AVENUE, NEW YORK 11779

TEL: (631) 467-2040 FAX: (631) 467-2196 e-mail: info@fabrotech.com

www.fabrotech.com