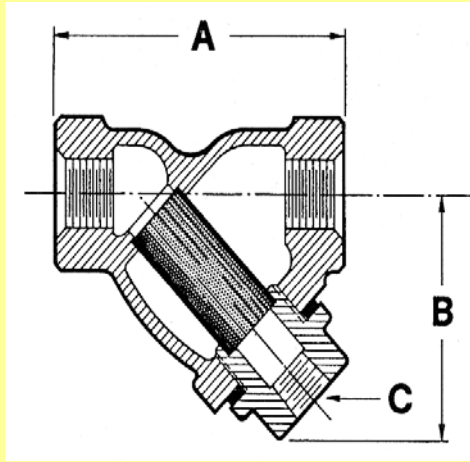
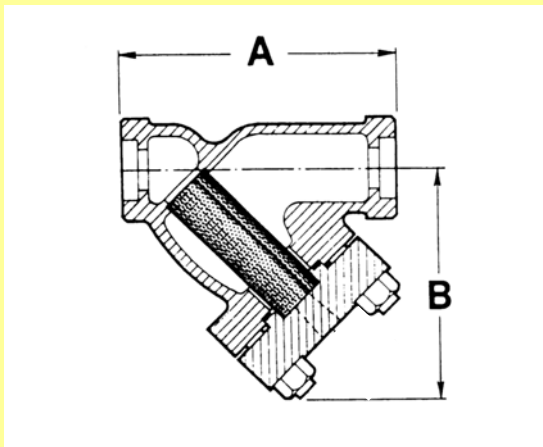


1500 LB. CAST CARBON STEEL THREADED & SOCKET WELD "Y" STRAINERS

MODELS: C9-1500 & C6-1500



Threaded Cap
(From 1/2" to 1")



Bolted Cover
(From 1 1/4" to 2")

DIMENSIONS & WEIGHTS APPROXIMATE
(Apply for certified drawings)

SIZE in.	1/2" *	3/4" *	1" *	1 1/4"	1 1/2"	2"
mm	15	20	25	32	40	50
A	3 29/32	4 1/4	5	8 3/8	8 3/8	9 5/16
B	3	3 5/8	4 1/8	7	7	7 3/8
C (NPT)	1/4	3/8	1/2	Blind Cap Std. SW / NPT avail.		
WT (lb.)	2.25	3.75	6.5	22	22	30
Cv (gpm)	9	18	28	42	60	92

* threaded (screwed) cap supplied (sizes 1" and smaller)

PRESSURE-TEMPERATURE RATINGS	
STEAM:	1500 psi @ 838°F
WOG:	3705 psi @ 100° F

SERVICE RECOMMENDATIONS

These strainers are built for long term use under demanding conditions. Because they have been designed to withstand high temperatures and pressures, they are recommended to use for protection to pumps, valves, compressors, etc.

FEATURES

The C9-1500 & C6-1500 have machined seats in the body and cap, which allow for proper screen alignment & seating. Sizes 1/2" through 1" have a screwed cap with a threaded (NPT) connection. Sizes 1 1/4" thru 2" have a bolted cover and are normally furnished blind, but a socket weld or NPT blowoff is available & should be specified when ordering.

SCREENS

Fabrotech provides stainless steel screens (grade 304) for all sizes which are normally furnished in the following perforations:

Steam Service: .045"

Liquid Service: .062"

Other body materials, such as Monel, Hastelloy C, and Alloy 20 are available. Other perforation sizes and/or mesh lining are also available. Please consult Fabrotech for options.

CONSTRUCTION

The body, which is cast from Carbon Steel (ASTM A216, Gr. WCB), is available from stock. Also available in Chrome Moly (ASTM A217, Grades WC6 & WC9), and Carbon Moly (ASTM A217, Grade LCB) Furnished with stainless steel spiral wound gaskets with graphite filler as standard. The socket weld bore is in accordance with ANSI B16.11.

INDIVIDUALLY HYDROSTATICALLY TESTED

FABROTECH INDUSTRIES, INC.

2089 NINTH AVENUE, RONKONKOMA, NEW YORK 11779

TEL: (631) 467-2040 FAX: (631) 467-2196 e-mail: info@fabrotech.com

www.fabrotech.com