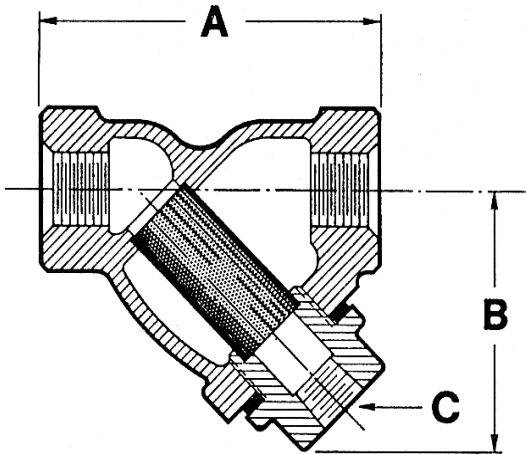


CAST BRONZE THREADED SELF CLEANING "Y" STRAINERS

MODELS: B9-150 & B9-250

WORKING PRESSURES: NON SHOCK		
STEAM:	B9-150:	150 psi @ 350° F
	B9-250:	300 psi @ 350° F
WOG:	B9-150:	200 psi @ 150° F
	B9-250:	400 psi @ 150° F



SERVICE RECOMMENDATIONS

These strainers are used to effectively remove foreign debris from pipelines and protect pumps, meters, valves etc. The use of a strainer is a relatively inexpensive way to protect costly equipment from damage.

SCREENS

20 mesh 304 stainless steel screens are normally furnished up to and including the 2 inch size. 2 1/2" & 3" are supplied with 1/16" perf.

Other screen materials, such as Monel, Hastelloy-C, & Alloy-20 are available. Other perforation sizes and/or mesh lining are also available.

CONSTRUCTION

Manufactured from 85-5-5 bronze (ASTM B62) because of its superior qualities in high temperature service. The B9-150 and B9-250 are also available for use in military applications. These units, which would be supplied in ASTM B61, conform to BuShip Drawing 80064-810-841499. For military applications, copper gaskets are standard.

BLOWOFF OUTLETS

Tapped NPT, sizes specified below ("C" dimension). Plugs are not standard, but they can be supplied. Specify at time of order.

MATERIALS:

Commercial: Body & Cap: Bronze ASTM B62 (85-5-5-5)
Gasket: Non-asbestos

Military: Body & Cap: Bronze ASTM B61
Gasket: Copper

DIMENSIONS & WEIGHTS APPROXIMATE
(Apply for certified drawings)

INDIVIDUALLY HYDROSTATICALLY TESTED

SIZE	in.	1/4"	3/8"	1/2"	3/4"	1"	1 1/4"	1 1/2"	2"	2 1/2"	3"
	mm.	8	10	15	20	25	32	40	50	65	80
A	B9-150	3 1/8	3 1/8	3 1/8	3 15/16	4 1/2	5 5/16	6 5/16	7 11/16	9 1/6	10
	B9-250	2 3/4	2 3/4	2 3/4	3	3 3/4	4 7/16	4 15/16	6 1/8	8 1/4	9
B	B9-150	1 15/16	1 15/16	1 15/16	2 5/16	2 7/8	3 1/4	3 3/4	4 3/4	6 1/2	8
	B9-250	2 1/4	2 1/4	2 1/4	2 9/16	2 3/4	3 5/8	3 7/8	5 1/8	6	6 3/4
C	(NPT)	1/4	1/4	1/4	1/4	3/8	3/8	1/2	1/2	1 1/4	1 1/2
WT (lb.)	B9-150	1/2	1/2	1/2	1	1 3/4	2 1/2	4	7	11 1/2	16 1/2
	B9-250	3/4	3/4	3/4	1 1/2	2 1/8	3 1/8	4 1/2	7	12 1/2	18

FABROTECH INDUSTRIES, INC.

2089 NINTH AVENUE, RONKONKOMA, NEW YORK 11779

TEL: (631) 467-2040 FAX: (631) 467-2196 e-mail: fabrotec@aol.com

www.fabrotech.com