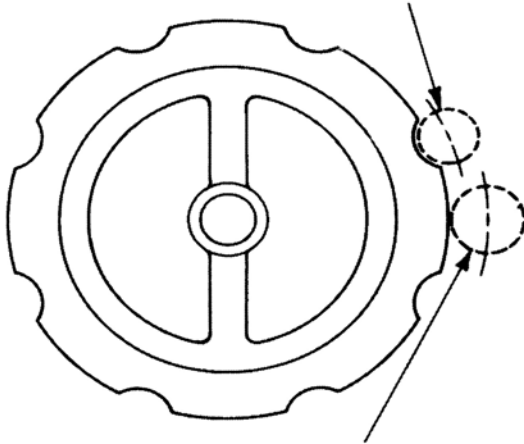


# 125 LB. CAST IRON BODY SILENT WAFER CHECK VALVE

**MODEL: F91-AP**

**PRESSURE-TEMPERATURE RATINGS**

**WOG: 150 psi @ 100° F**



**SERVICE RECOMMENDATIONS**

The F91-AP is recommended for use in liquid or gas service, where temperatures & pressures are relatively low. These valves are *not* recommended for use in sewage ejector piping nor are they suggested to be installed with reciprocating compressors or pumps.

**FEATURES**

The spring automatically closes when the flow stops which prevents surge and water hammer. The mating surfaces of the seat & disc are handlapped. The disc is fully guided to prevent binding. Parts are field replaceable, without the need for special tools.

**INSTALLATION**

The F91-AP can be installed vertically, horizontally or at an angle. However, if vertical downward flow is intended, please consult factory.

**CONSTRUCTION**

The bodies are constructed from Cast Iron, ASTM A126, Gr. B. The standard seat and disc are made from Bronze (ASTM B62: 85-5-5-5). The spring is stainless steel, ASTM A276, type 302. The 91 series is also available with a stainless steel seat & disc instead of bronze.

Size	in.	1 1/2"	2"	2 1/2"	3"	4"	5"	6"	8"	10"	12"
	mm	38	50	65	80	100	125	150	200	250	300
Face to Face		2 3/8	2 5/8	2 7/8	3 1/8	4	4 5/8	5 9/16	6 1/2	8 1/4	11 1/4
Bolting		4 3/8 X	4 5/8 X	4 5/8 X	4 5/8 X	8 5/8 X	8 3/4 X	8 3/4 X	8 3/4 X	12 7/8 X	24 7/8 X
		5 1/4	5 3/4	6	6 1/2	7 3/4	8 1/2	9 1/2	10 3/4	13	14
WT (lb)		4	5 1/4	8	10	17	27	39	86	159	337

## FABROTECH INDUSTRIES, INC.

2089 NINTH AVENUE, RONKONKOMA, NEW YORK 11779

TEL: (631) 467-2040 FAX: (631) 467-2196 e-mail: [fabrotec@aol.com](mailto:fabrotec@aol.com)

[www.fabrotech.com](http://www.fabrotech.com)