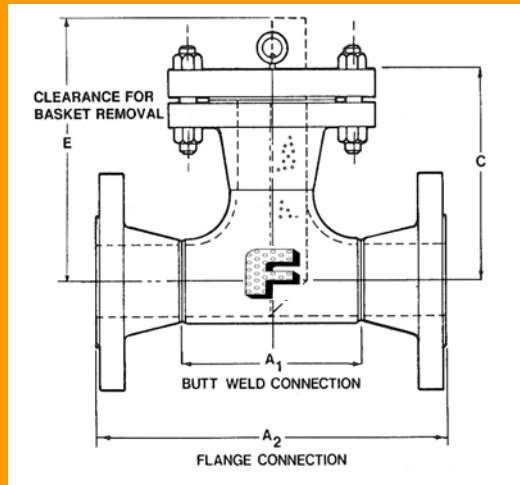


FABRICATED TEE TYPE: BOLTED BLIND

MODEL G-600: BUTTWELD

MODEL GF-600: FLANGED



SIZE	A1	A2	C	E	UNIT WEIGHT		Cover
					BW	FLG'D	Wt.*
2'	5.00	11.25	6.875	12.25	28	52	10
3'	6.75	13.75	8.375	15.25	54	100	20
4"	8.25	16.75	10.125	18.75	106	190	41
5'	9.75	19.25	11.625	21.75	159	295	68
6"	11.25	21.00	12.625	24.00	203	365	86
8"	14.00	25.00	14.9375	29.00	340	580	140
10'	17.00	29.50	17.50	34.50	520	900	230
12'	20.00	32.75	19.25	38.75	700	1150	295
14"	22.00	35.50	20.75	42.50	920	1480	355
16"	24.00	38.50	22.50	46.50	1170	1950	495
18"	27.00	42.00	24.50	51.00	1500	2450	630
20"	30.00	45.50	26.50	55.50	1970	3150	810
24"	34.00	50.50	29.50	62.50	2940	4600	1250

*NOTE: FABROTECH CAN INSTALL A LIFTING DAVIT TO ASSIST IN COVER REMOVAL.

FABROTECH INDUSTRIES, INC.

2089 NINTH AVENUE, RONKONKOMA, NEW YORK 11779
 TEL: (631) 467-2040 FAX: (631) 467-2196 e-mail: info@fabrotech.com
www.fabrotech.com