

125 LB. SIMPLEX THREADED BASKET STRAINER

MODELS:

125: Cast Iron (ASTM A126-B)

125B: Bronze (ASTM B62, type 85-5-5)

125CS: Carbon Steel (ASTM A216, Gr. WCB)

125SS: Stainless Steel (ASTM A351, Gr. CF8M)

WOG PRESSURE-TEMPERATURE RATINGS

(Note: the 125 series is **not** recommended for steam)

125: Cast Iron 200 psi @ 150°F

125B: Bronze 225 psi @ 150°F

125CS: Carbon Steel 285 psi @ 100°F

125SS: Stainless Steel 275 psi @ 100°F

SERVICE RECOMMENDATIONS

These strainers are used to remove foreign matter from pipe lines and provide inexpensive protection to pumps, meters, valves, etc. In appropriate material, this Fabrotech model can be used for drinking water, cooling water, sea water, etc.

FEATURES

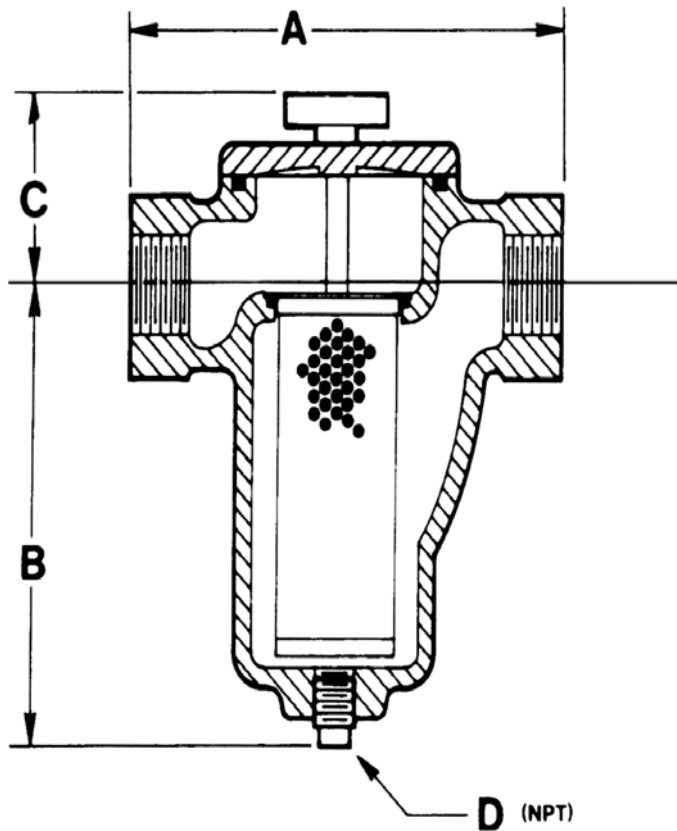
These strainers have been designed for applications where easy maintenance & large capacity straining are needed. Service time is minimal because the cover is secured with quick opening, non-yoke type knobs. Both the cover & the basket use O-ring seals, eliminating the need to replace gaskets each time the strainer is serviced. This, combined with the machined basket seat, eliminates particle bypass. With the appropriate wire mesh lining, these models can be used to strain particles as small as five microns.

CONSTRUCTION

Cast cover and body. All sizes feature an O-ring cover seal. Baskets and O-ring are sealed in machined seats. Quick release knobs are insert molded with metal threads. A plugged NPT connection is provided ("D"). Coatings are available on application. Standard basket is .062 perf 304 ss. Buna-N O-ring standard for all models except stainless steel, which is supplied with a Viton O-ring.

CAPACITY: Minimum 6 to 1 open area ratio.

Fabrotech does not recommend this strainer for steam use.



DIMENSIONS & WEIGHTS ARE APPROXIMATE
(Apply for certified drawings)

SIZE in.	1/2"	3/4"	1"	1 1/4"	1 1/2"	2"	2 1/2"	3"
mm	15	20	25	32	40	50	65	80
A	4 9/16	4 9/16	5 5/16	6 5/16	6 5/16	8 1/4	9 5/8	11 1/4
B	4	4	4 11/16	6 1/2	6 1/2	7 7/8	8 3/4	11 3/8
C	2 1/2	2 1/2	2 3/4	3	3	3 5/8	4	4 1/2
D (npt)	3/8	3/8	3/8	1/2	1/2	3/4	1	1
WEIGHTS (lb.)								
Cast Iron	4 3/4	5	6	10	10	19 1/2	28 1/2	47
Bronze	5 1/4	5 1/4	7 3/4	12 1/2	12 1/2	24 1/2	36 1/2	55 1/2
Carbon/Stainless	4 3/4	5	6 1/2	11 1/2	11 1/2	22 3/4	33 3/4	51
Clean Cv	14	16	25	42	42	70	110	150

FABROTECH INDUSTRIES, INC.

2089 NINTH AVE, RONKONKOMA, NY 11779 TEL: 631-467-2040, FAX 631-467-2196

www.fabrotech.com